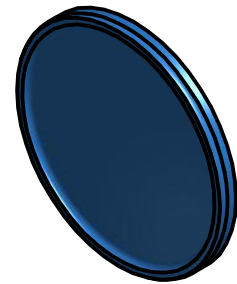
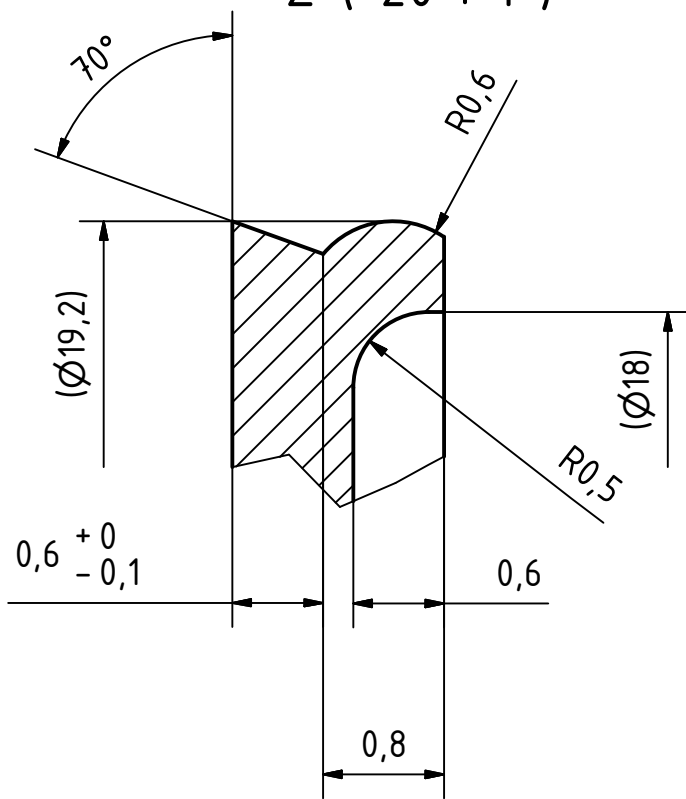


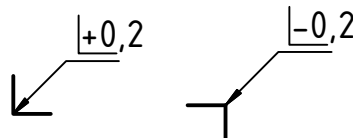
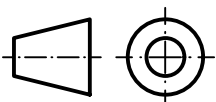
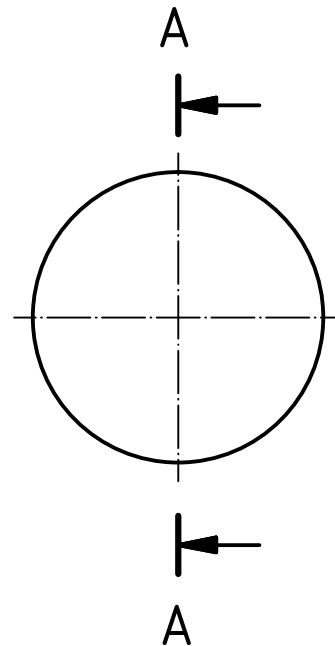
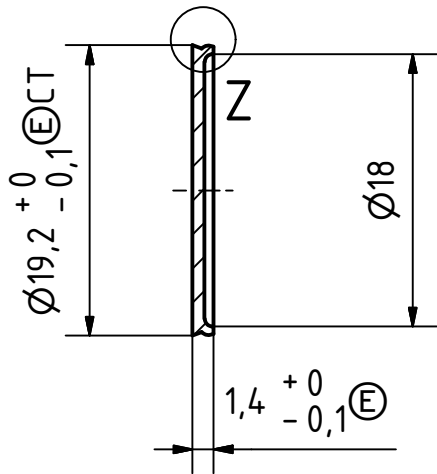
1 2 3 4



A
B
C
D
E

Z (20 : 1)



A-A



Scale 2:1	General Tolerance ISO 2768-cL	Surface ISO 1302	Material PLA	Raw Part 3D Print
Tolerance ISO 8015	Length Tolerance ISO 14405-1	Angle Tolerance ISO 14405-3	Document Type Part Drawing	
  <p>Berufskolleg für Technik Düren</p>	Done by Marcus Goppelmann	Name, additional Name Chip - Insert		Number BKT-DN-002
	Approved by Axel Grossmann	Rev.	Date 04.04.2017	Size A4