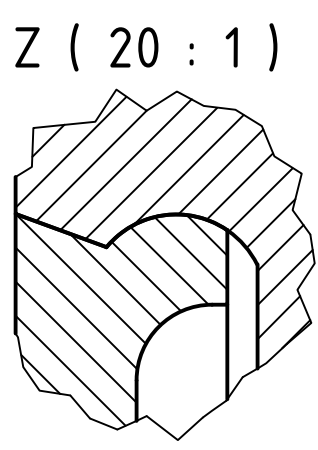
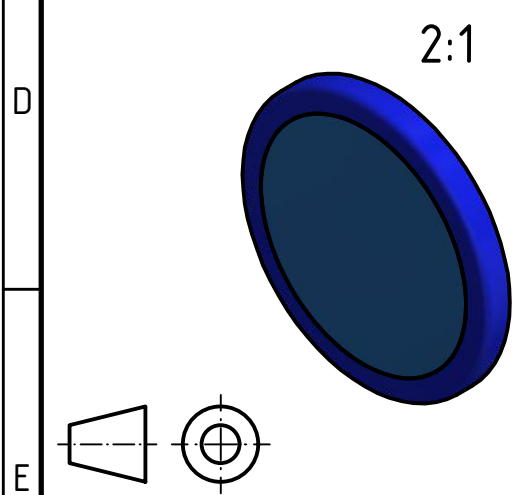
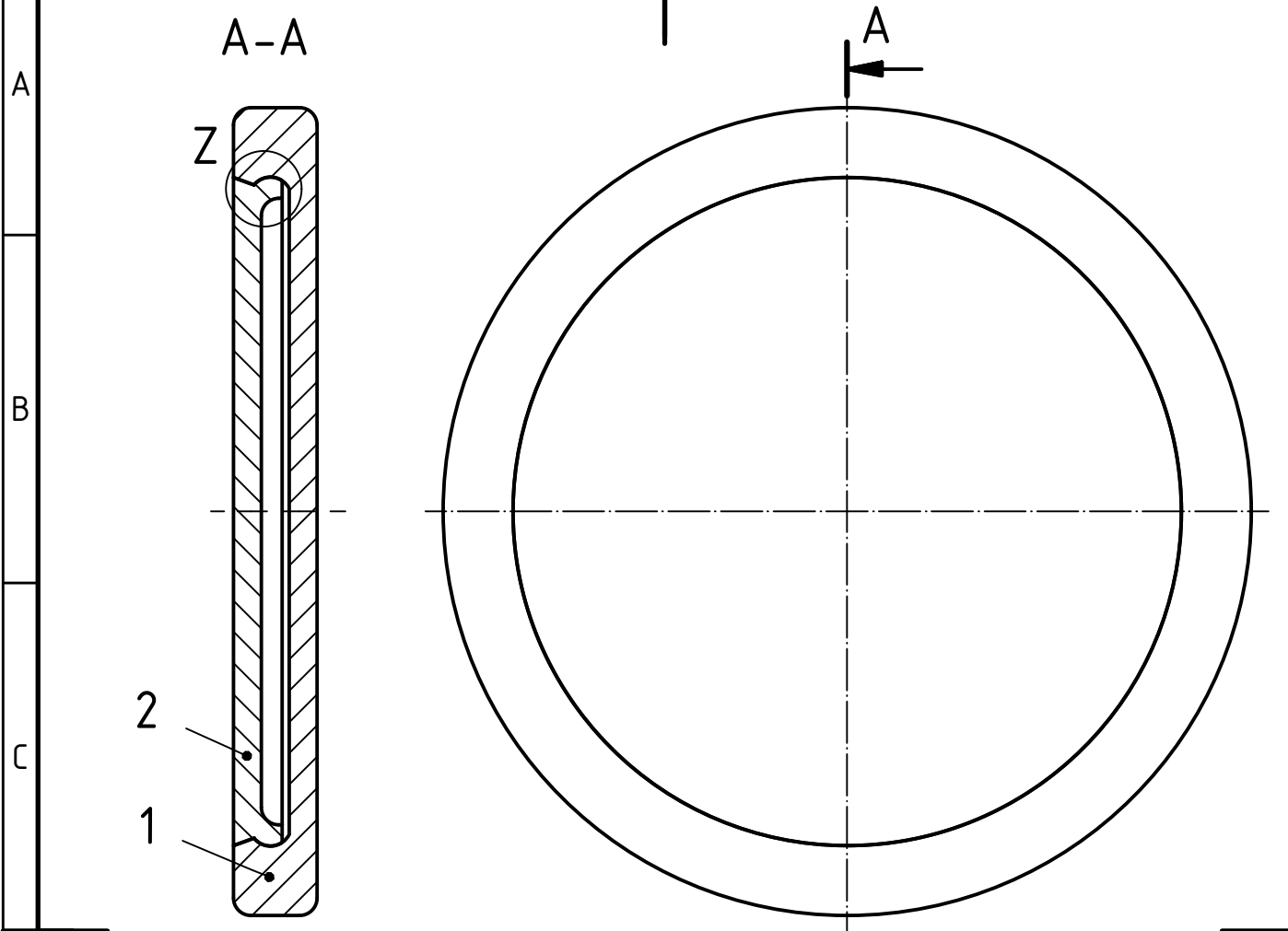


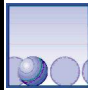

1 2 3 4



| 2 | 1 | Chip - Insert | VET4.0-08-02 | PLA | 3D Print |
|----------|------|--------------------|---------------------|----------|------------------------|
| 1 | 1 | Chip - Bottom Part | VET4.0-08-01 | PLA | 3D Print |
| Item No. | Qty. | Part Name | Standard / Part No. | Material | Description / Raw Part |

| | | | | |
|-------|-------------------|---------|----------|----------|
| Scale | General Tolerance | Surface | Material | Raw Part |
| 5:1 | | | | |

| | | | |
|-----------|------------------|-----------------|------------------|
| Tolerance | Length Tolerance | Angle Tolerance | Document Type |
| | | | Assembly Drawing |

| | | | | | | | | | | |
|---|--------------------------------------|---|---|------|------|------|-------|----|------------|----|
|   | Done by Marcus Gompelmann | Name, additional Name Chip - Assembly | Number VET4.0-08 | | | | | | | |
| | Approved by Axel Grossmann | for shopping trolley | <table border="1"> <tr> <td>Rev.</td> <td>Date</td> <td>Size</td> <td>Sheet</td> </tr> <tr> <td>AD</td> <td>23.10.2017</td> <td>A4</td> <td>1/1</td> </tr> </table> | Rev. | Date | Size | Sheet | AD | 23.10.2017 | A4 |
| Rev. | Date | Size | Sheet | | | | | | | |
| AD | 23.10.2017 | A4 | 1/1 | | | | | | | |