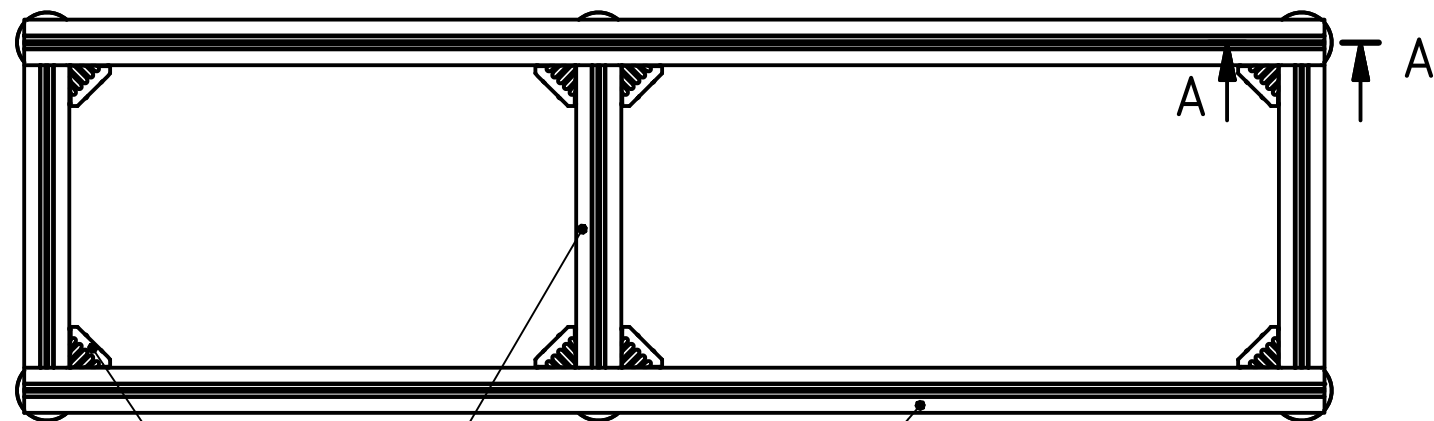
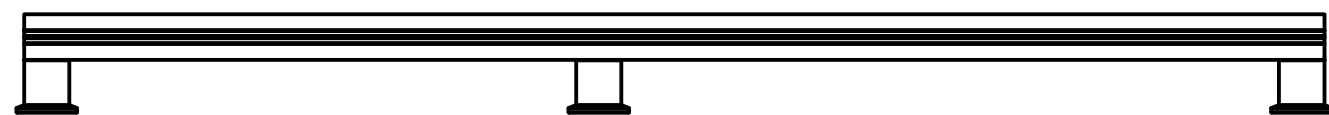
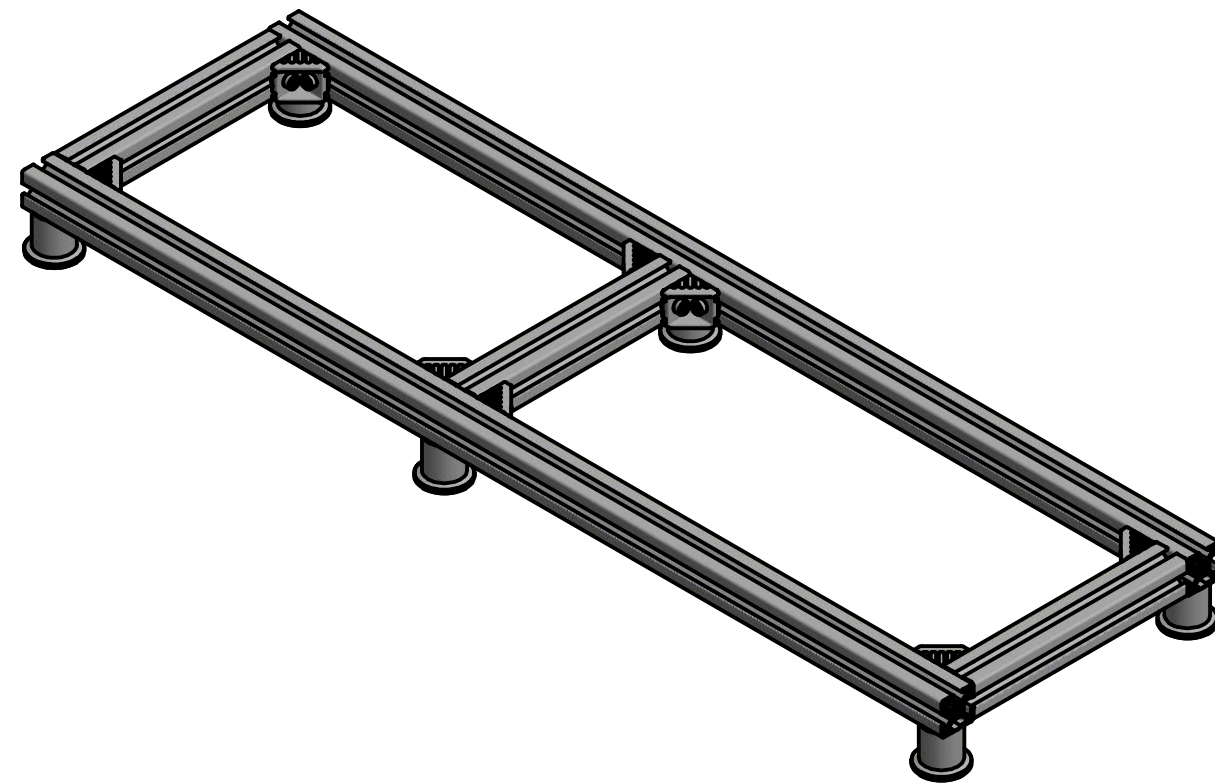
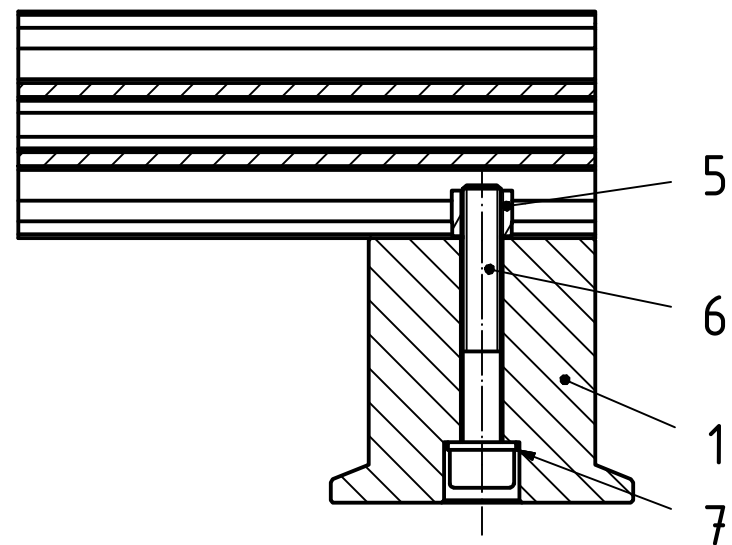



A-A (1:1)



| Item No. | Qty. | Part Name | Standart / Part No. | Material | Description / Supplier |
|----------|------|-----------------------------------|---------------------|-----------|------------------------|
| 7 | 6 | washer 5 | ISO 7092 | 140HV | |
| 6 | 6 | cylindrical head bolt M5x35 | ISO 4762 | 8.8 | |
| 5 | 6 | T-nut M5 | 3842501752 | steel | Rexroth |
| 4 | 8 | angle connector 30x30 with screws | 3842523528 | | Rexroth |
| 3 | 3 | aluminium profile 30x30x200 | 3842990720 | aluminium | Rexroth |
| 2 | 2 | aluminium profile 30x30x560 | 3842990720 | aluminium | Rexroth |
| 1 | 6 | foot | VET4.0-05-01 | PLA | 3D Print |

| | | | | |
|---|-------------------|------------------------------|-------------------------------------|----------------------------|
| Scale | General Tolerance | Surface | Material | Raw Part |
| 1:5 | | | | |
| Tolerance | | Length Tolerance | Angle Tolerance | Document Type |
| | | | | Assembly Drawing |
|  | | Done by Marcus Gompelmann | Name, additional Name Base plate | Number VET4.0-05 |
| | | Approved by | Trolley chip assembly station | Rev. Date AA 22.10.2017 |
| | | | | Size Sheet A3 1/1 |

