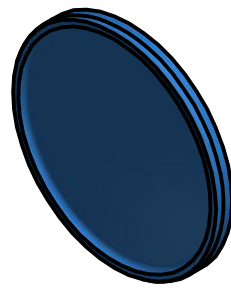
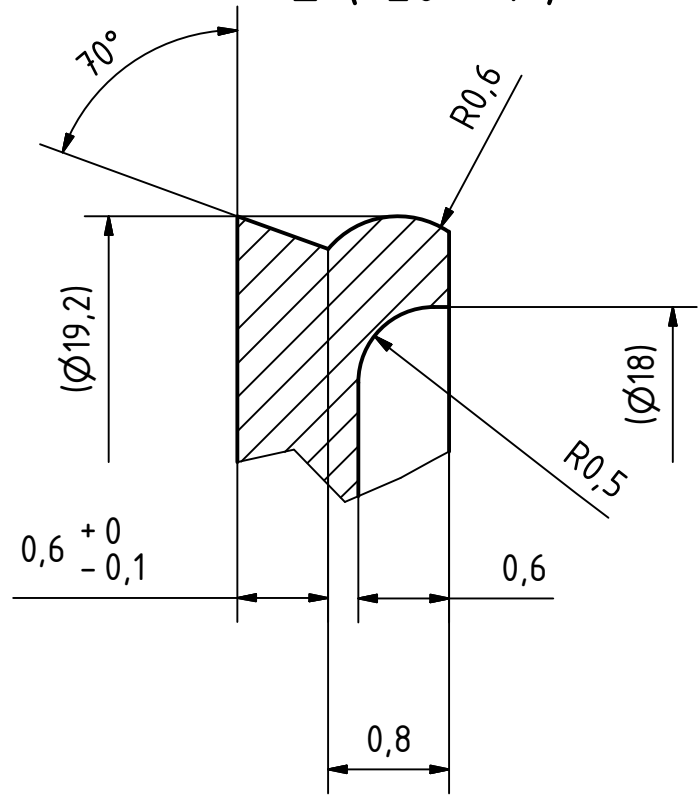


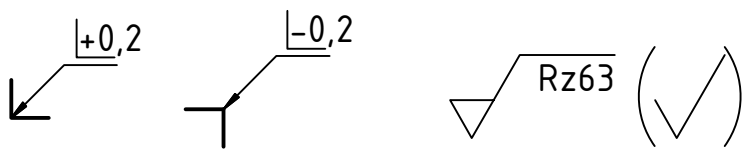
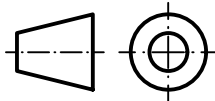
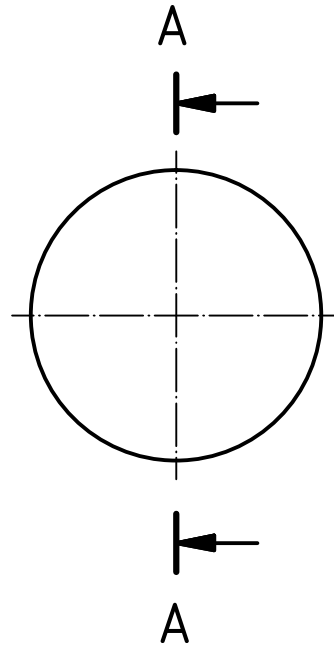
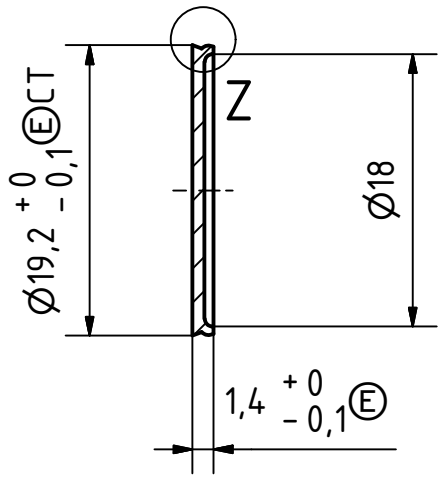
1 2 3 4


A
B
C
D
E

Z (20 : 1)



A-A



Scale 2:1	General Tolerance ISO 2768-cL	Surface ISO 1302	Material PLA	Raw Part 3D Print								
Tolerance ISO 8015		Length Tolerance ISO 14405-1	Angle Tolerance ISO 14405-3	Document Type Part Drawing								
		Done by Marcus Goppelmann	Name, additional Name Chip - Insert	Number VET4.0-08-02								
		Approved by Axel Grossmann		<table border="1"> <tr> <td>Rev.</td> <td>Date</td> <td>Size</td> <td>Sheet</td> </tr> <tr> <td>AD</td> <td>23.10.2017</td> <td>A4</td> <td>1/1</td> </tr> </table>	Rev.	Date	Size	Sheet	AD	23.10.2017	A4	1/1
Rev.	Date	Size	Sheet									
AD	23.10.2017	A4	1/1									