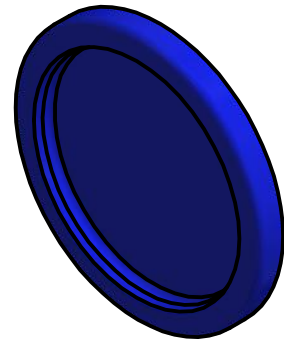
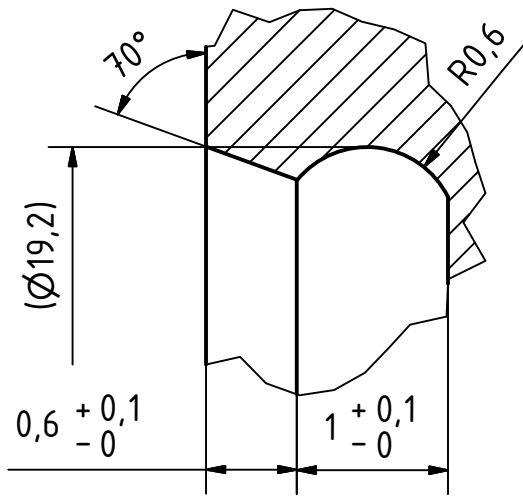


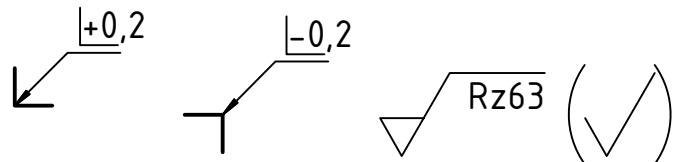
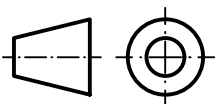
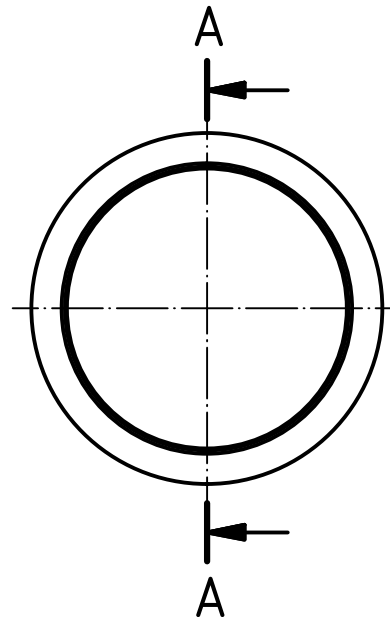
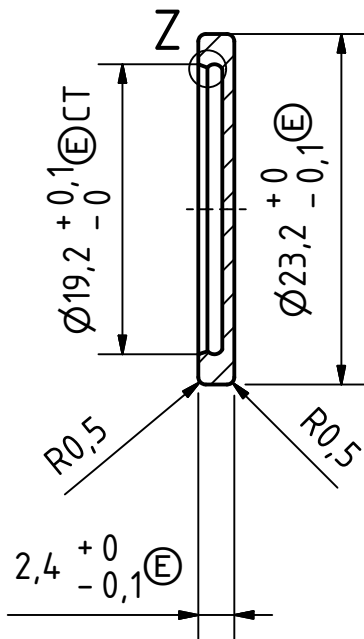
1 2 3 4

A
B
C
D
E

Z (20 : 1)



A-A



Scale 2:1	General Tolerance ISO 2768-cL	Surface ISO 1302	Material PLA	Raw Part 3D Print
Tolerance ISO 8015		Length Tolerance ISO 14405-1		Angle Tolerance ISO 14405-3
Document Type Part Drawing		Name, additional Name Chip - Bottom Part		
Done by Marcus Goppelmann		Number VET4.0-08-01		Rev. Date AD 23.10.2017
Approved by Axel Grossmann		Size A4		Sheet 1/1

