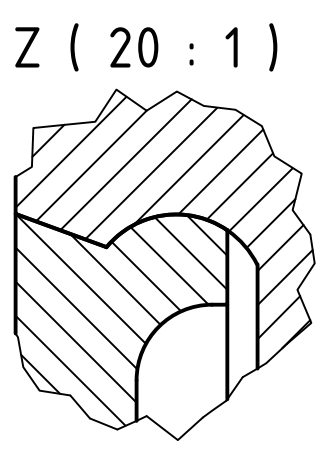
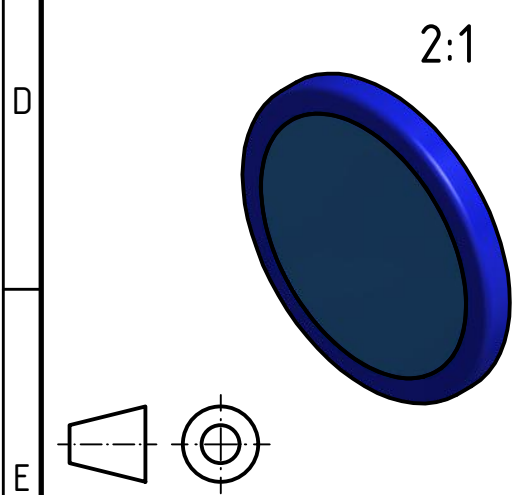
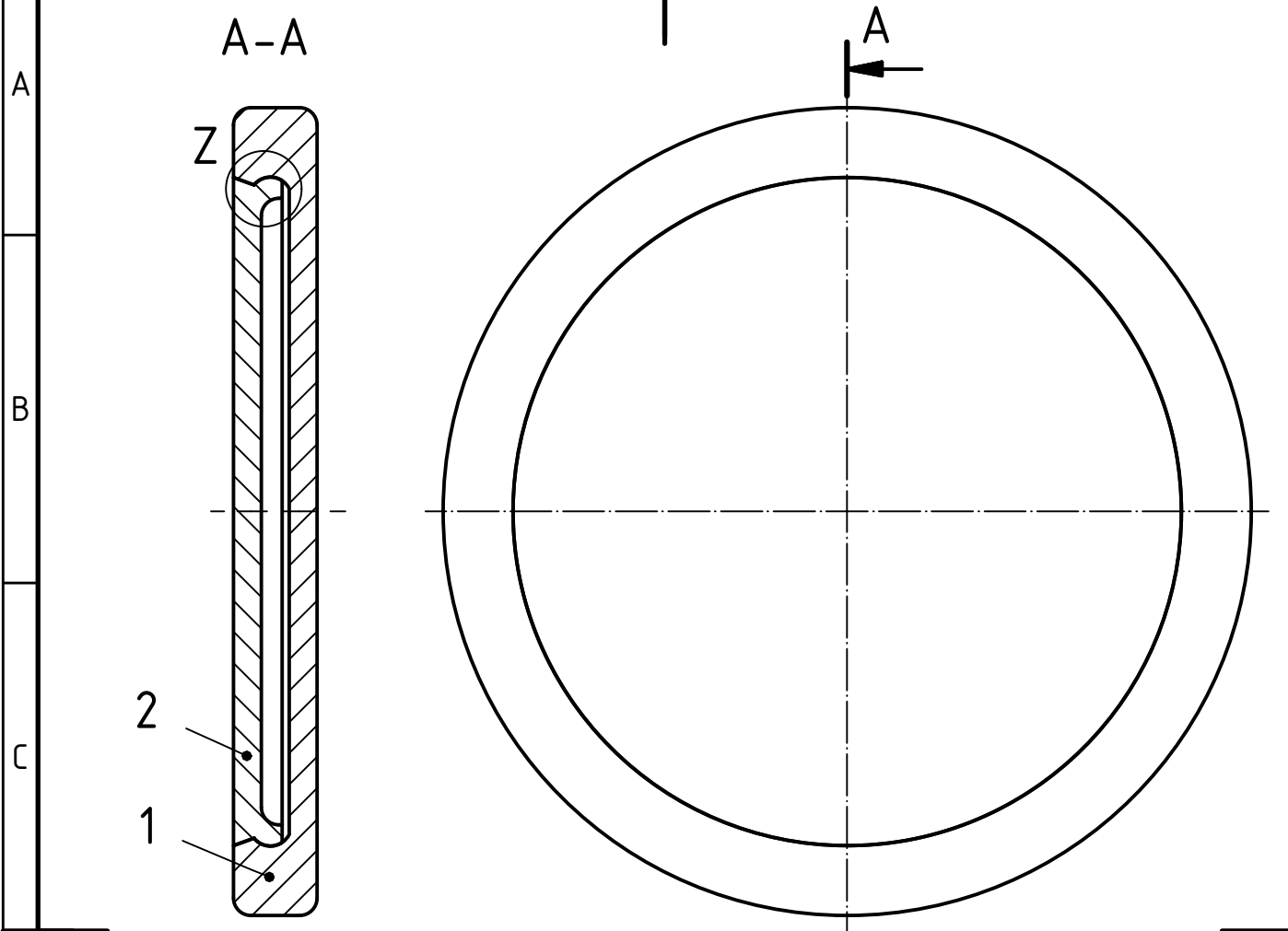


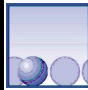

1 2 3 4



2	1	Chip - Insert	BKT-DN-002	PLA	3D Print
1	1	Chip - Bottom Part	BKT-DN-001	PLA	3D Print
Item No.	Qty.	Part Name	Standard / Part No.	Material	Description / Raw Part

Scale	General Tolerance	Surface	Material	Raw Part
5:1				

Tolerance	Length Tolerance	Angle Tolerance	Document Type
			Assembly Drawing

 	Done by Marcus Gompelmann	Name, additional Name Chip - Assembly	Number BKT-DN-003	
	Approved by Axel Grossmann	for shopping trolley		Rev. Date AC 04.04.2017
			Size A4	Sheet 1/1